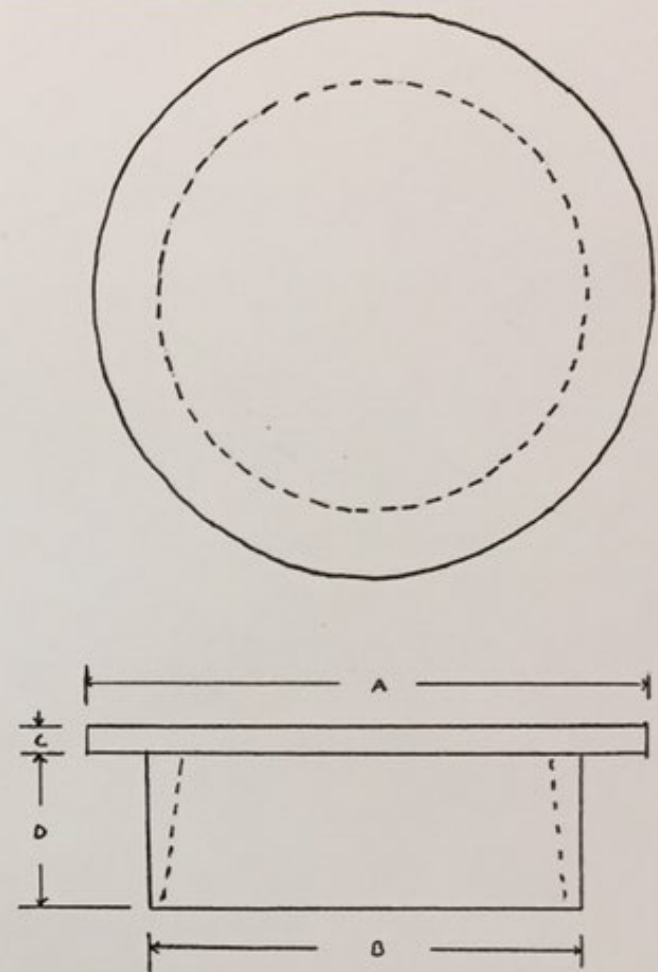


Vice Brothers Utility Covers are designed to eliminate dangerous and unsightly sewer and access pipes. Utility Covers can be flush mounted directly to the access pipe making the installation flush with the ground. A locking access lid that allows the owner to open the cover easily may be custom ordered.



SIZE	A	B	C	D	WEIGHT
4	4 15/16"	3 13/32"	3/8"	1 9/16"	1 lb.
6	7 3/8"	5 7/8"	3/8"	2"	2.5 lb.
8	9 3/8"	7 1/2"	3/8"	2"	3 lb.
10	12 3/8"	9 3/4"	1/2"	2 5/32"	6.25 lb.
12	14 11/16"	11 9/16"	5/8"	2 7/16"	9 lb.
15	17 5/8"	14 3/8"	5/8"	2 7/16"	14 lb.
18	20 3/4"	17 3/4"	5/8"	2 3/4"	24 lb.
24	27"	23 1/2"	5/8"	2 3/4"	37 lb.

*CFS based on orifice coefficient of .67 with 4 inches of water over the inlet.