

NAME DATE
BKB 5/14/2012

DRAWN
CHECKED
ENG APPR.
MFG APPR.
Q.A.
COMMENTS

TITLE:

DD06 Drainage Dome

SIZE DWG. NO. REV
A DD06 Drainage Dome **A**

SCALE: WEIGHT: 2.25 SHEET 1 OF 1

PROPRIETARY AND CONFIDENTIAL

THE INFORMATION CONTAINED IN THIS DRAWING IS THE SOLE PROPERTY OF VICE BROTHERS. ANY REPRODUCTION IN PART OR AS A WHOLE WITHOUT THE WRITTEN PERMISSION OF VICE BROTHERS IS PROHIBITED.

MATERIAL

Aluminum 319

GROUND

DO NOT SCALE DRAWING

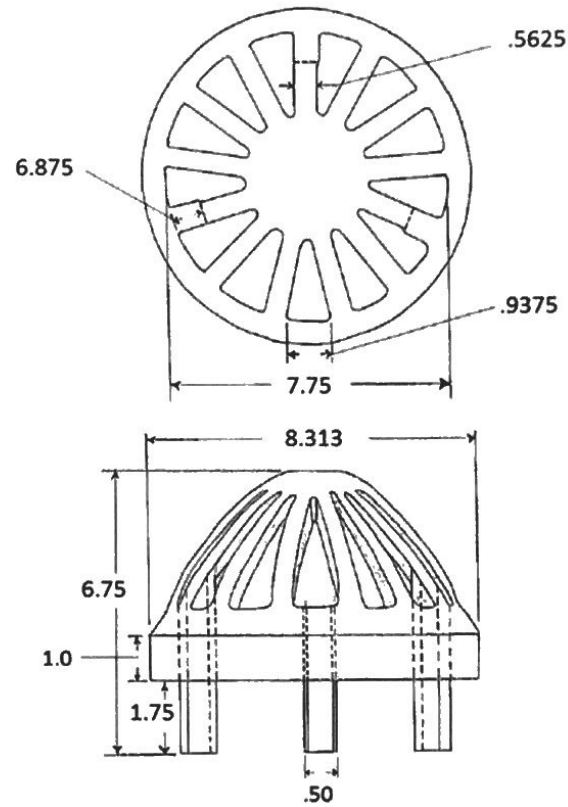
5

4

3

2

1



NAME DATE
 BKB 5/14/2012
 DRAWN
 CHECKED
 ENG APPR.
 MFG APPR.
 Q.A.
 COMMENTS:

TITLE:

DD08 Drainage Dome

SIZE DWG. NO. REV
A DD08 Drainage Dome **A**
 SCALE: WEIGHT: 3.0 SHEET 1 OF 1

PROPRIETARY AND CONFIDENTIAL
 THE INFORMATION CONTAINED BY THIS DRAWING IS THE SOLE PROPERTY OF VICE BROTHERS. ANY REPRODUCTION IN PART OR AS A WHOLE WITHOUT THE WRITTEN PERMISSION OF VICE BROTHERS IS FORBIDDEN.
 MATERIAL Aluminum 319
 FINISH GROUND
 DO NOT SCALE DRAWING

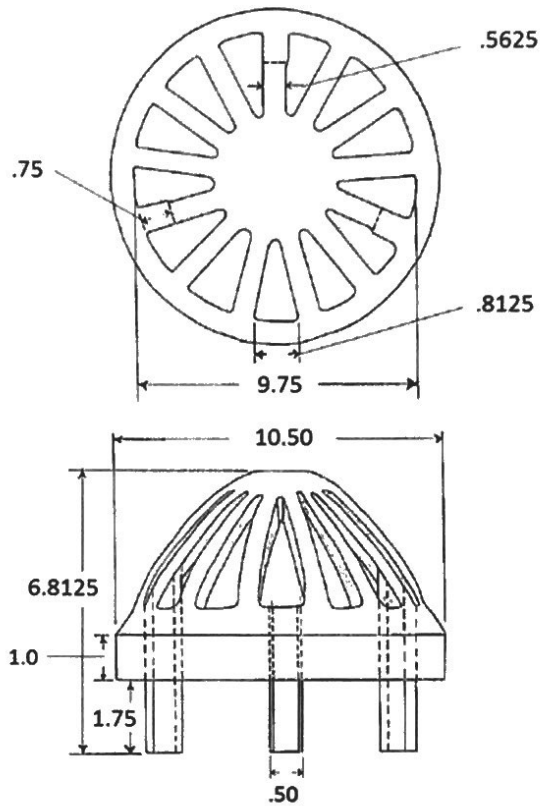
5

4

3

2

1



NAME DATE
 BKJ 5/14/2012

DRAWN
 CHECKED
 ENG APPR.
 MFG APPR.
 Q.A.
 COMMENTS:

TITLE:

DD10 Drainage Dome

SIZE DWG. NO. REV
A DD10 Drainage Dome **A**
 SCALE: WEIGHT: 4.25 SHEET 1 OF 1

PROPRIETARY AND CONFIDENTIAL
 THE INFORMATION CONTAINED IN THIS
 DRAWING IS THE SOLE PROPERTY OF
 VICE BROTHERS. ANY REPRODUCTION IN
 PART OR AS A WHOLE WITHOUT THE
 WRITTEN PERMISSION OF VICE BROTHERS
 IS PROHIBITED.

MATERIAL
 Aluminum 319
 GROUND
 DO NOT SCALE DRAWING

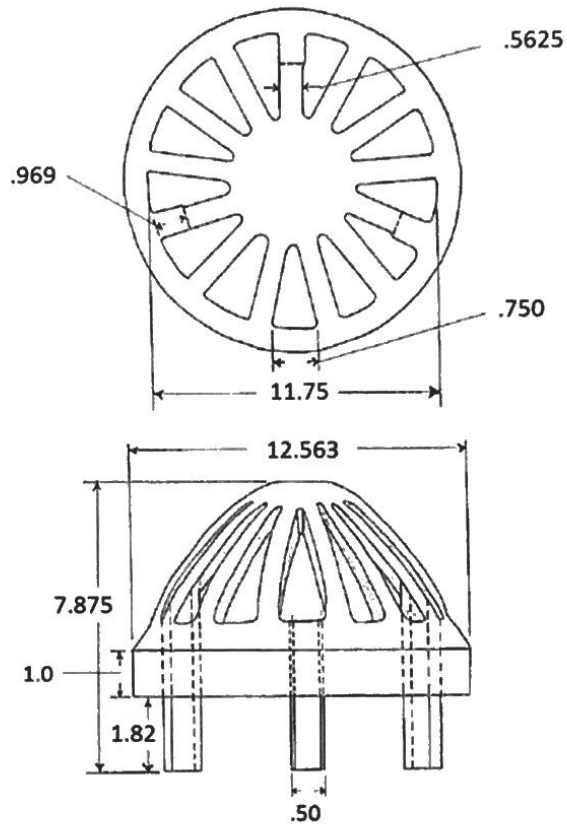
5

4

3

2

1



NAME DATE
BKB 5/14/2012

DRAWN
CHECKED
ENG APPR.
MFG APPR.
Q.A.
COMMENTS:

TITLE:

DD12 Drainage Dome

SIZE DWG. NO. REV
A DD12 Drainage Dome **A**
SCALE: WEIGHT: 5.5 SHEET 1 OF 1

PROPRIETARY AND CONFIDENTIAL
THE INFORMATION CONTAINED IN THIS
DRAWING IS THE SOLE PROPERTY OF
VICE BROTHERS. ANY REPRODUCTION IN
PART OR AS A WHOLE WITHOUT THE
WRITTEN PERMISSION OF VICE BROTHERS
IS PROHIBITED.

MATERIAL
Aluminum 319
GROUND
DO NOT SCALE DRAWING

5

4

3

2

1