

FITTING NUMBER

40052100

FITTING

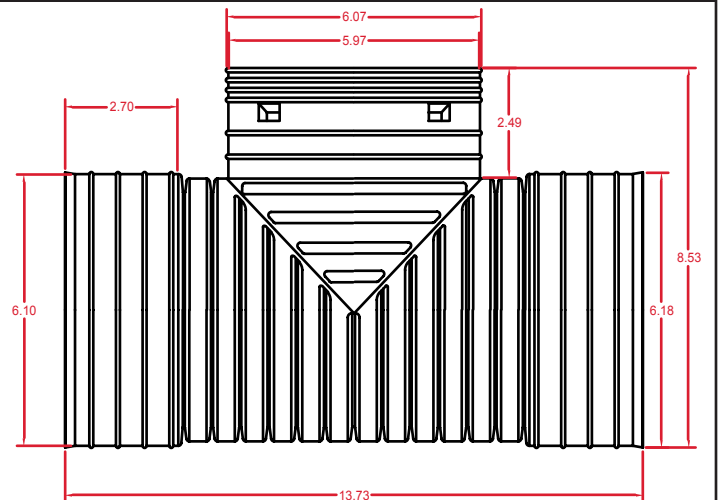
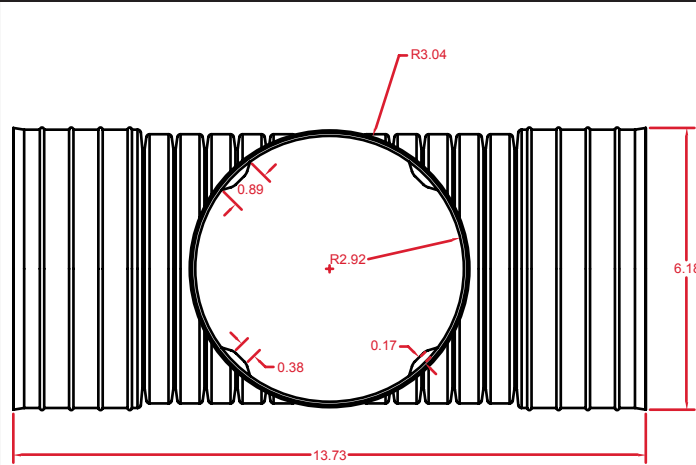
TEE

SIZE

5"



MEASUREMENTS



PART WEIGHT

450 grams (+/- 25 grams)

PART WALL DISTRIBUTION

.07"

These specifications are held in standard according to ASTM F667 - Standard Specification for Polyethylene Plastics Pipe and Fittings material.