

FITTING NUMBER

40181800

FITTING

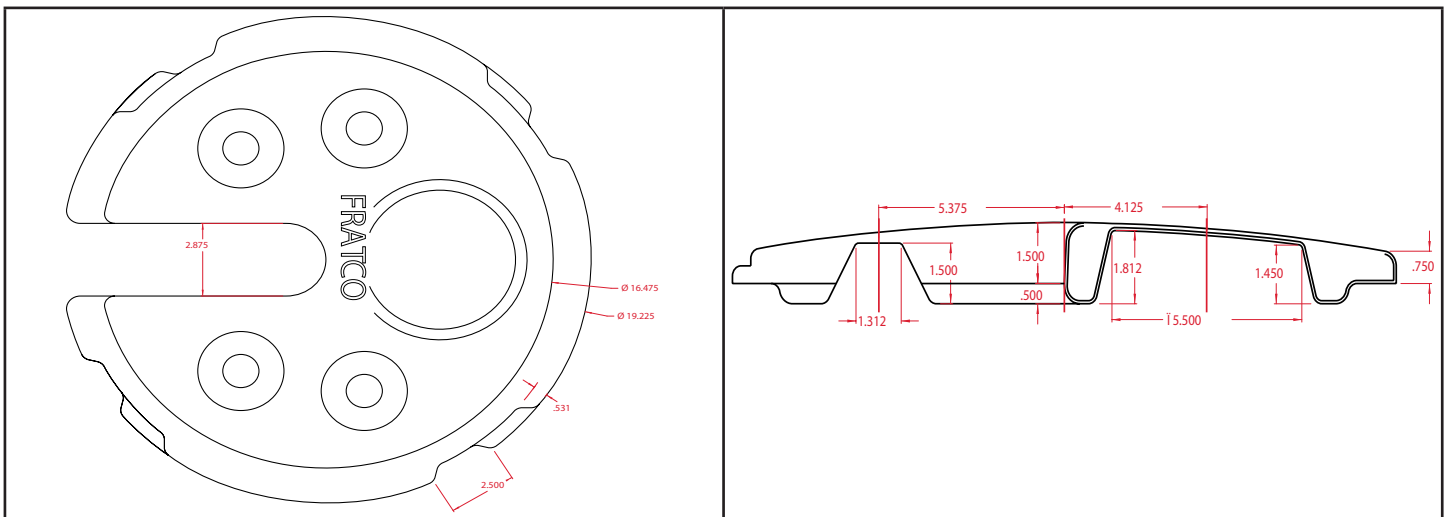
SUMP LID

SIZE

18"



MEASUREMENTS



PART WEIGHT

925 grams (+/- 10 grams)

PART WALL DISTRIBUTION

N/A

These specifications are held in standard according to ASTM F667 - Standard Specification for Polyethylene Plastics Pipe and Fittings material.