

FITTING NUMBER

# 40063500

FITTING

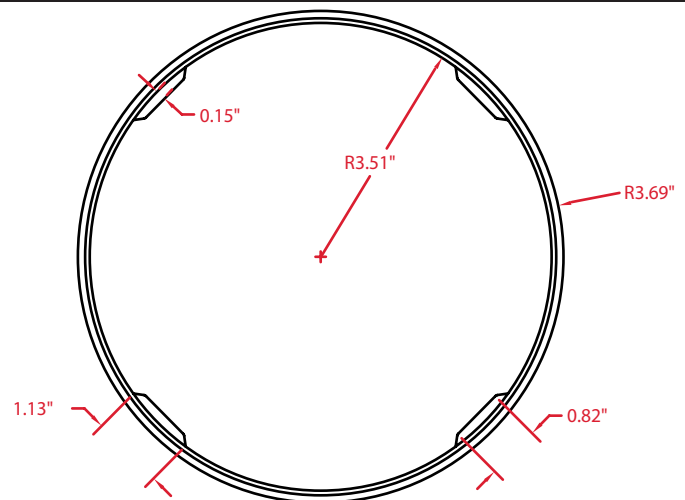
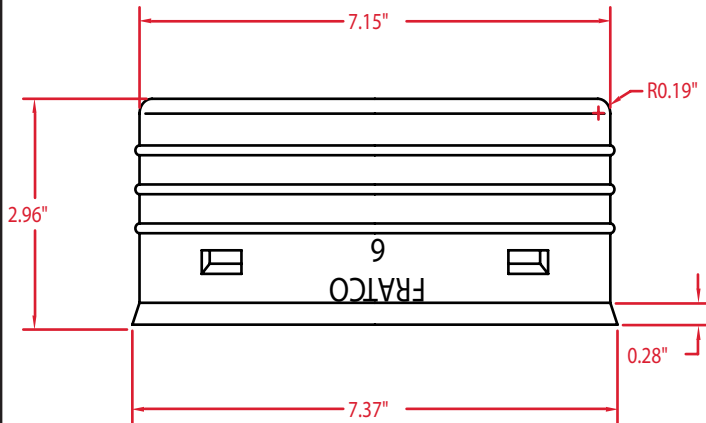
## SNAP END CAP

SIZE

## 6"



MEASUREMENTS



PART WEIGHT

## 115 grams (+/- 10 grams)

PART WALL DISTRIBUTION

## .07"

These specifications are held in standard according to ASTM F667 - Standard Specification for Polyethylene Plastics Pipe and Fittings material.