

FITTING NUMBER

40103502

FITTING

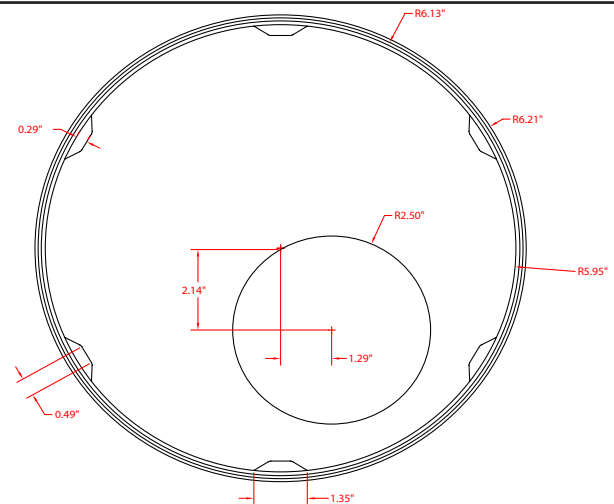
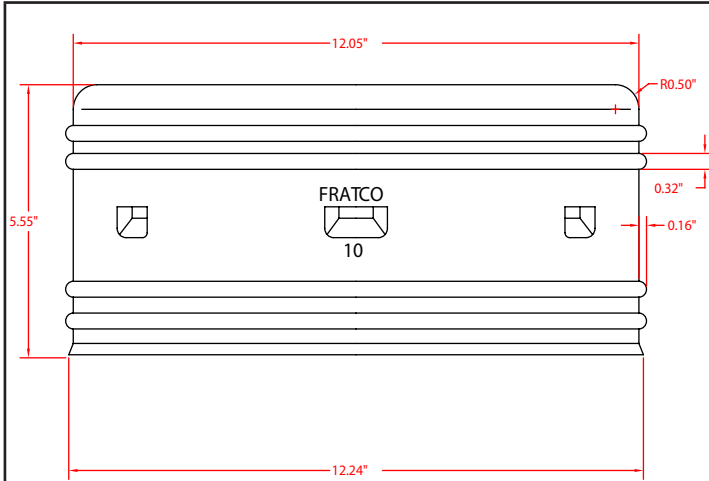
SEPTIC CAP

SIZE

10"



MEASUREMENTS



PART WEIGHT

425 grams (+/- 20 grams)

PART WALL DISTRIBUTION

.07"

These specifications are held in standard according to ASTM F667 - Standard Specification for Polyethylene Plastics Pipe and Fittings material.