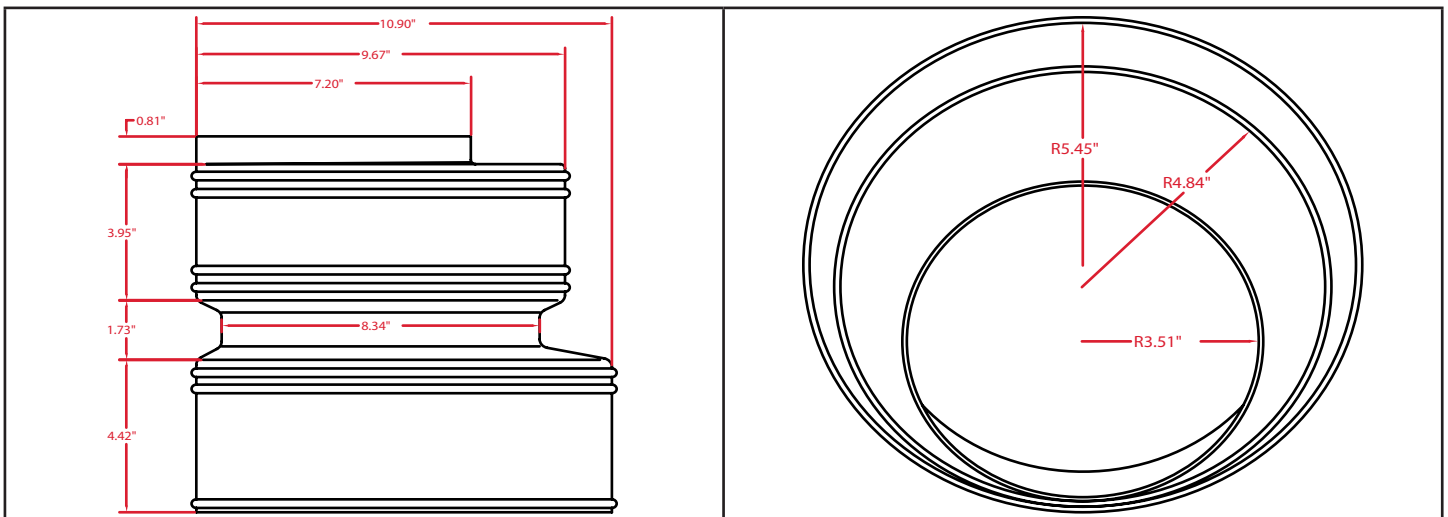




FITTING NUMBER	
40101086	
FITTING	SIZE
REDUCER	10"X8"X6"

MEASUREMENTS



PART WEIGHT

640 grams (+/- 25 grams)

PART WALL DISTRIBUTION

.09"

These specifications are held in standard according to ASTM F667 - Standard Specification for Polyethylene Plastics Pipe and Fittings material.