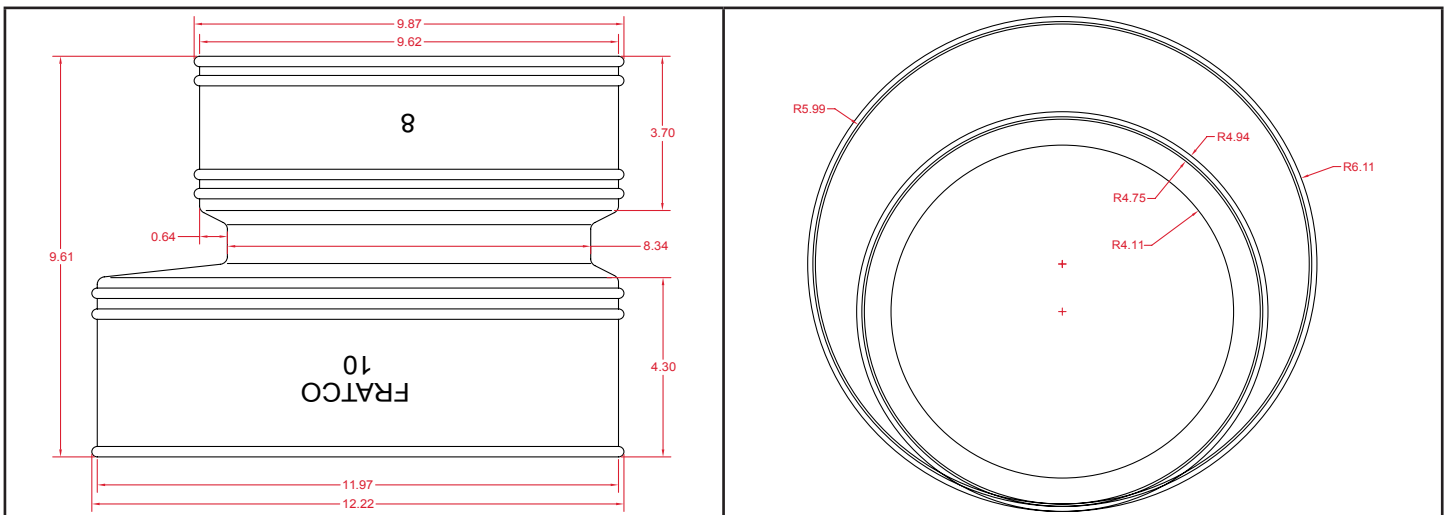


FITTING NUMBER	
40101080	
FITTING	SIZE
REDUCER	10"x8"



MEASUREMENTS



PART WEIGHT

475 grams (+/- 25 grams)

PART WALL DISTRIBUTION

.07"

These specifications are held in standard according to ASTM F667 - Standard Specification for Polyethylene Plastics Pipe and Fittings material.