

**FITTING NUMBER**

**40062300**

**FITTING**

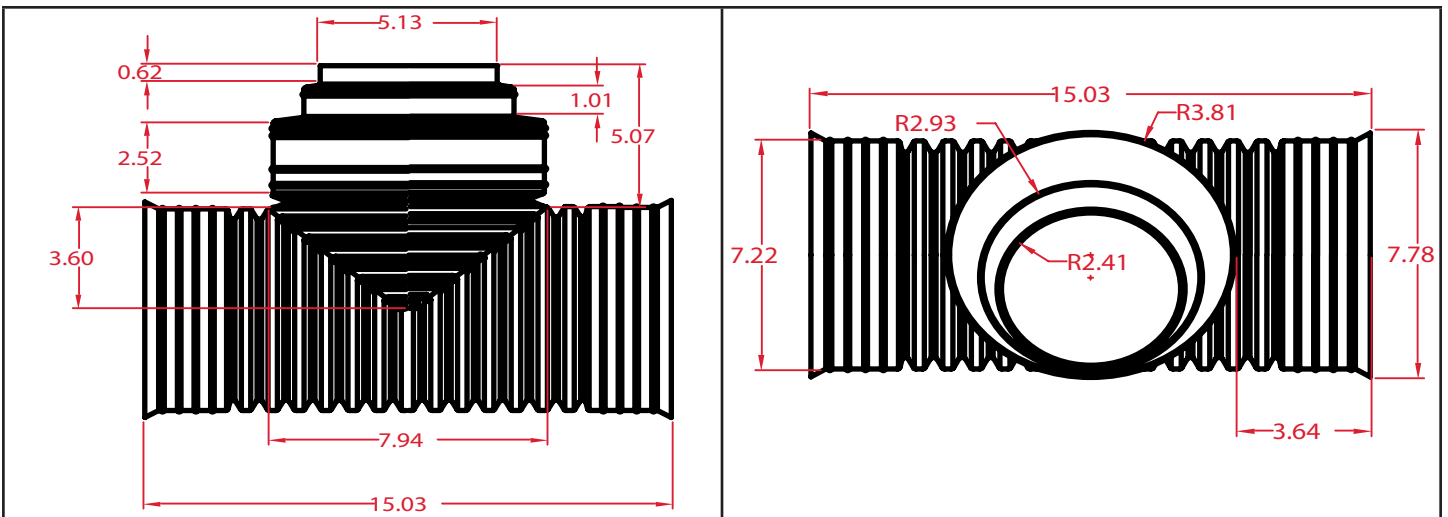
**REDUCER TEE**

**SIZE**

**6"x5"x4"**



**MEASUREMENTS**



**PART WEIGHT**

**640 grams** (+/- 30 grams)

**PART WALL DISTRIBUTION**

**.10"**

These specifications are held in standard according to ASTM F667 - Standard Specification for Polyethylene Plastics Pipe and Fittings material.