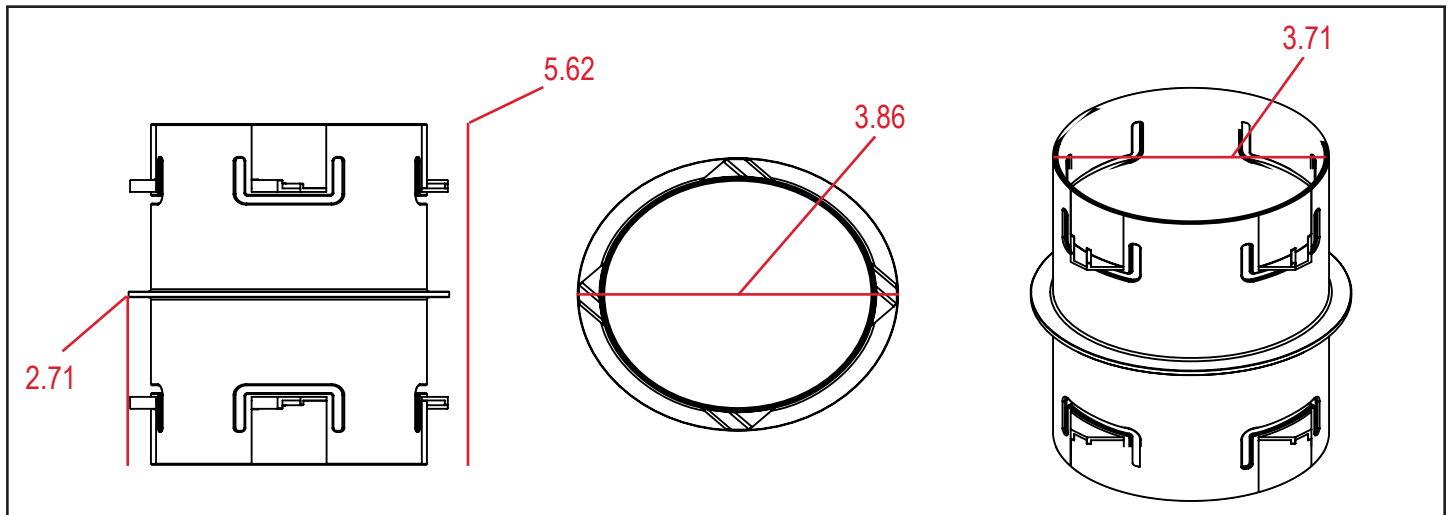


FITTING NUMBER	
40041300	
FITTING	SIZE
INTERNAL COUPLER INJ	4"

MEASUREMENTS



PART WEIGHT

85 grams (+/- 7 grams)

PART WALL DISTRIBUTION

.08"

These specifications are held in standard according to ASTM F667 - Standard Specification for Polyethylene Plastics Pipe and Fittings material.