

FITTING NUMBER

40062400

FITTING

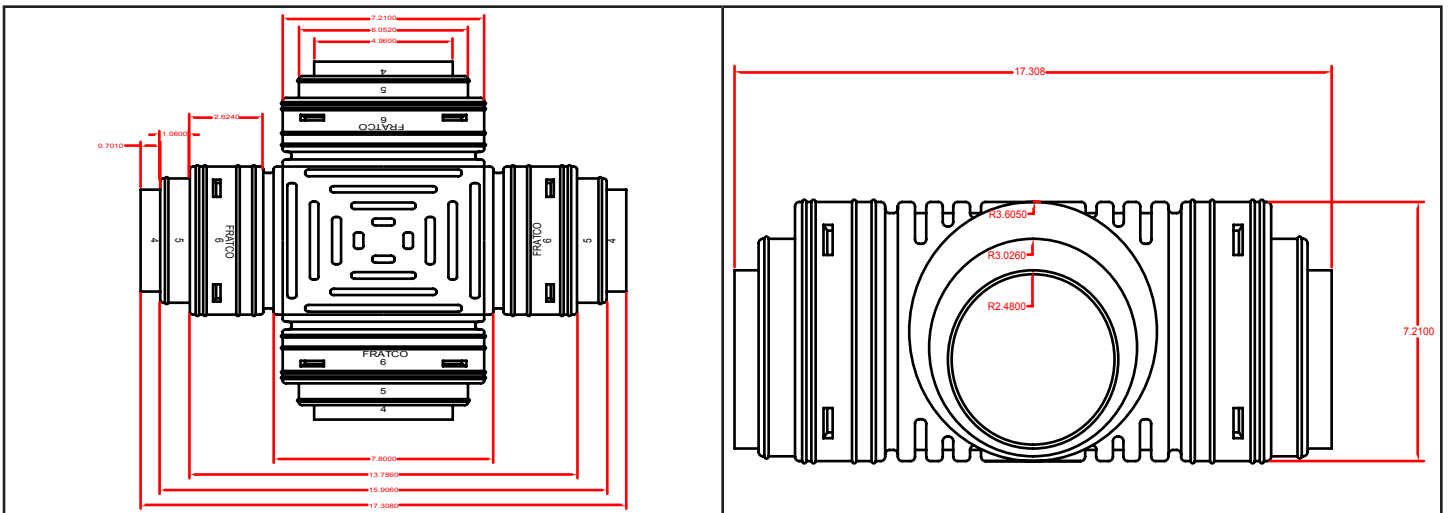
CROSS TEE

SIZE

6"



MEASUREMENTS



PART WEIGHT

925 grams (+/- 35 grams)

PART WALL DISTRIBUTION

N/A

These specifications are held in standard according to ASTM F667 - Standard Specification for Polyethylene Plastics Pipe and Fittings material.