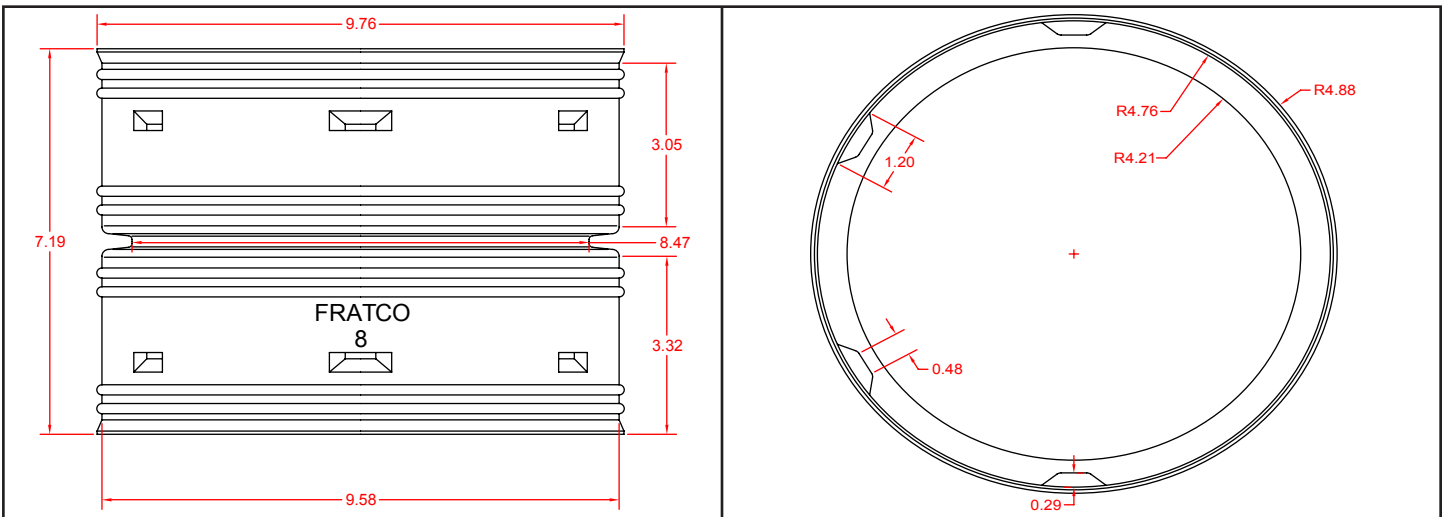




FITTING NUMBER	
<b>40081200</b>	
FITTING	SIZE
<b>SNAP COUPLER</b>	<b>8"</b>

### MEASUREMENTS



### PART WEIGHT

**280 grams** (+/- 20 grams)

### PART WALL DISTRIBUTION

**.07"**

These specifications are held in standard according to ASTM F667 - Standard Specification for Polyethylene Plastics Pipe and Fittings material.