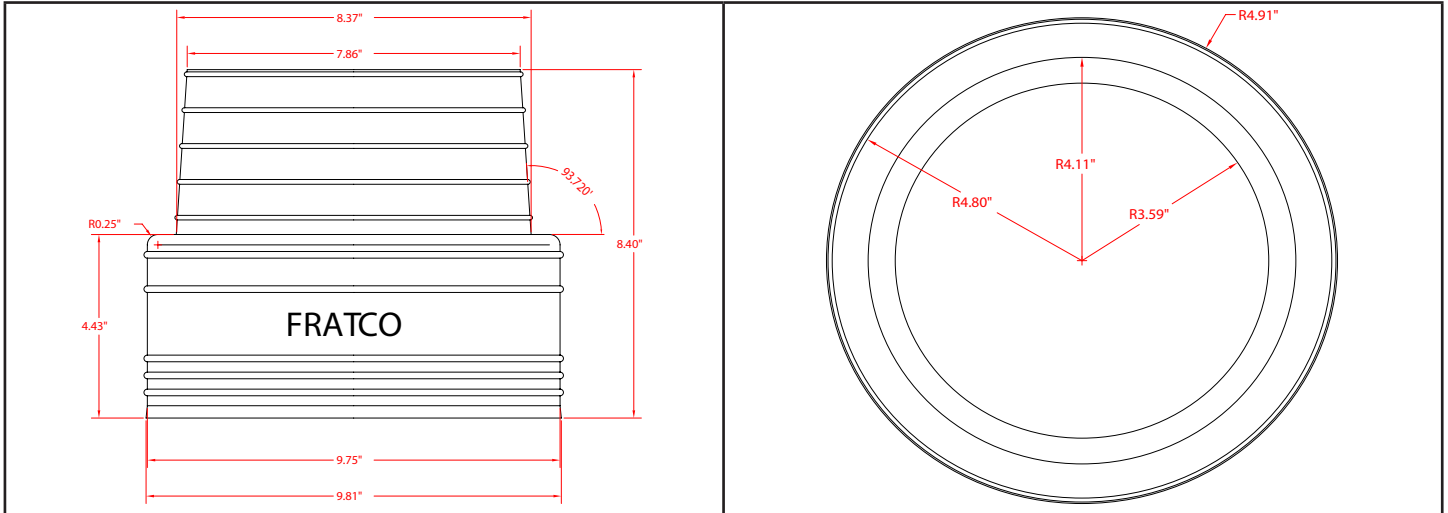


FITTING NUMBER	
40085000	
FITTING	SIZE
ADAPTER	8"



MEASUREMENTS



PART WEIGHT

230 grams (+/- 15 grams)

PART WALL DISTRIBUTION

.06"

These specifications are held in standard according to ASTM F667 - Standard Specification for Polyethylene Plastics Pipe and Fittings material.