

FITTING NUMBER

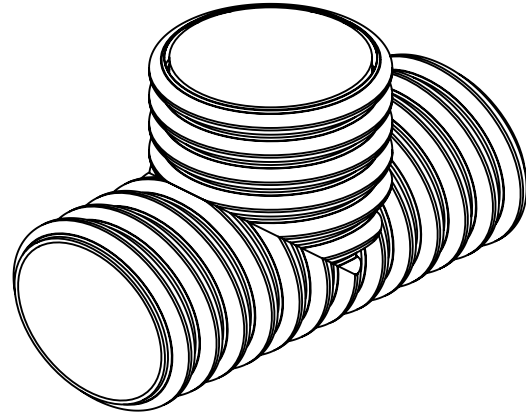
44122100
 44152100
 44182100
 44242100
 44302100
 44362100
 44422100
 44482100

FITTING

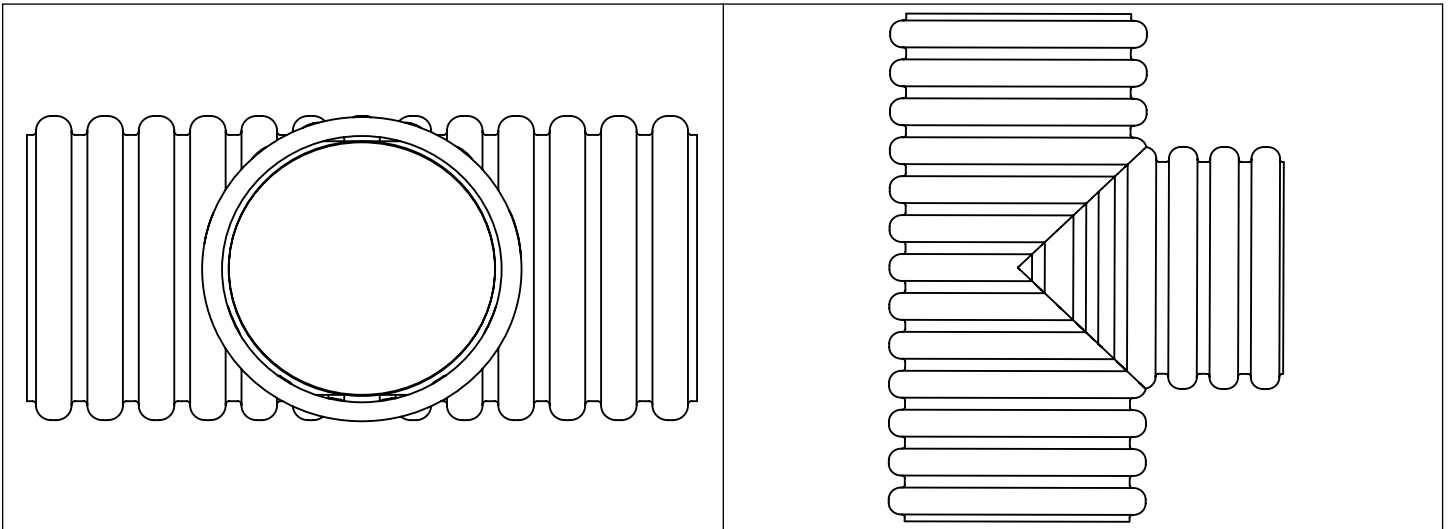
TEE

SIZE

12"-48"



MEASUREMENTS



Nominal Diameter	ID	OD	Crown Height	Pitch	Pipe Weight (Per Foot)
12"	11.98"	14.62"	1.15"	0.50"	1450 gs
15"	14.96"	17.66"	1.14"	0.78"	2150 gs
18"	17.94"	21.43"	1.46"	1.12"	2945 gs
24"	23.86"	28.01"	1.81"	1.23"	4850 gs
30"	29.86"	34.75"	2.23"	1.33"	6533 gs
36"	35.91"	40.48"	2.26"	1.62"	8416 gs
42"	41.75"	47.27"	2.53"	1.68"	12402 gs
48"	47.96"	54.75"	2.82"	1.74"	14063 gs

These specifications are held in standard according to the following: ASTM F667, ASTM F2306, AASHTO M294.