

FITTING NUMBER

40062300

FITTING

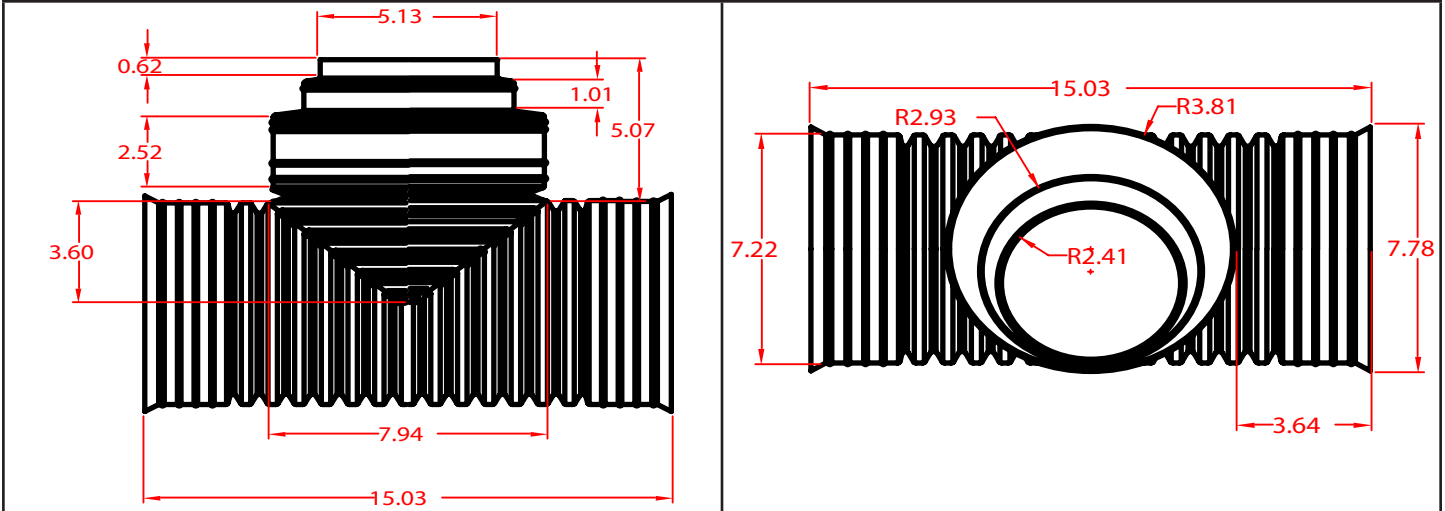
REDUCER TEE

SIZE

6"x5"x4"



MEASUREMENTS



PART WEIGHT

640 grams (+/- 30 grams)

PART WALL DISTRIBUTION

.10"

These specifications are held in standard according to ASTM F667 - Standard Specification for Polyethylene Plastics Pipe and Fittings material.