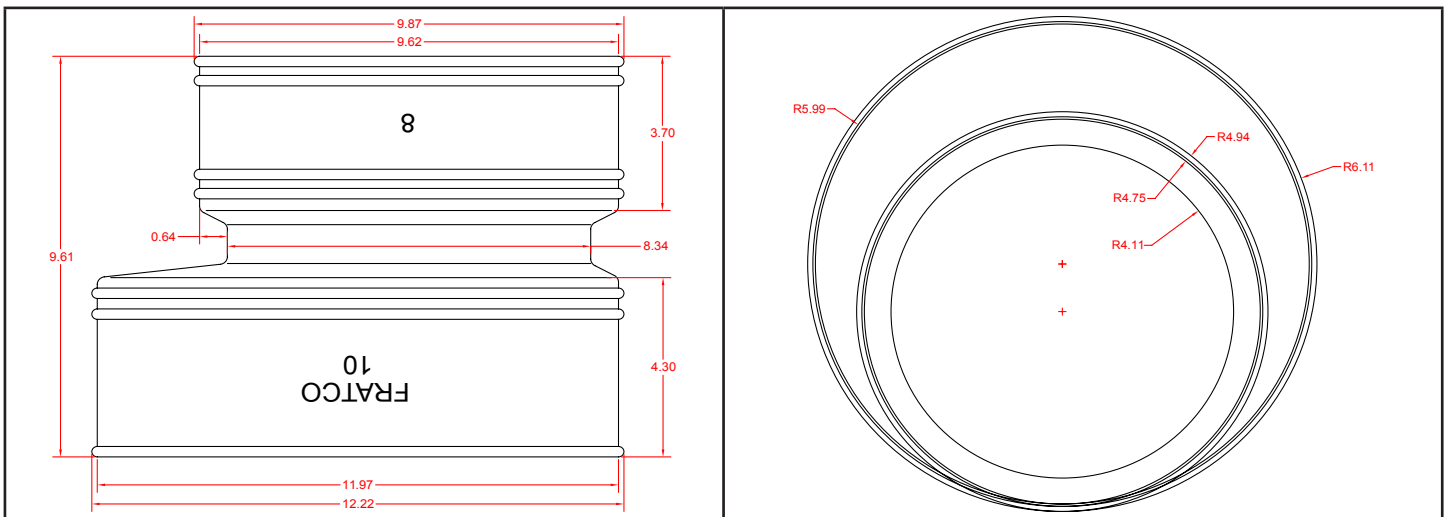


FITTING NUMBER	
<b>40101080</b>	
FITTING	SIZE
<b>REDUCER</b>	<b>10"x8"</b>



**MEASUREMENTS**



**PART WEIGHT**

**475 grams** (+/- 25 grams)

**PART WALL DISTRIBUTION**

**.07"**

These specifications are held in standard according to ASTM F667 - Standard Specification for Polyethylene Plastics Pipe and Fittings material.