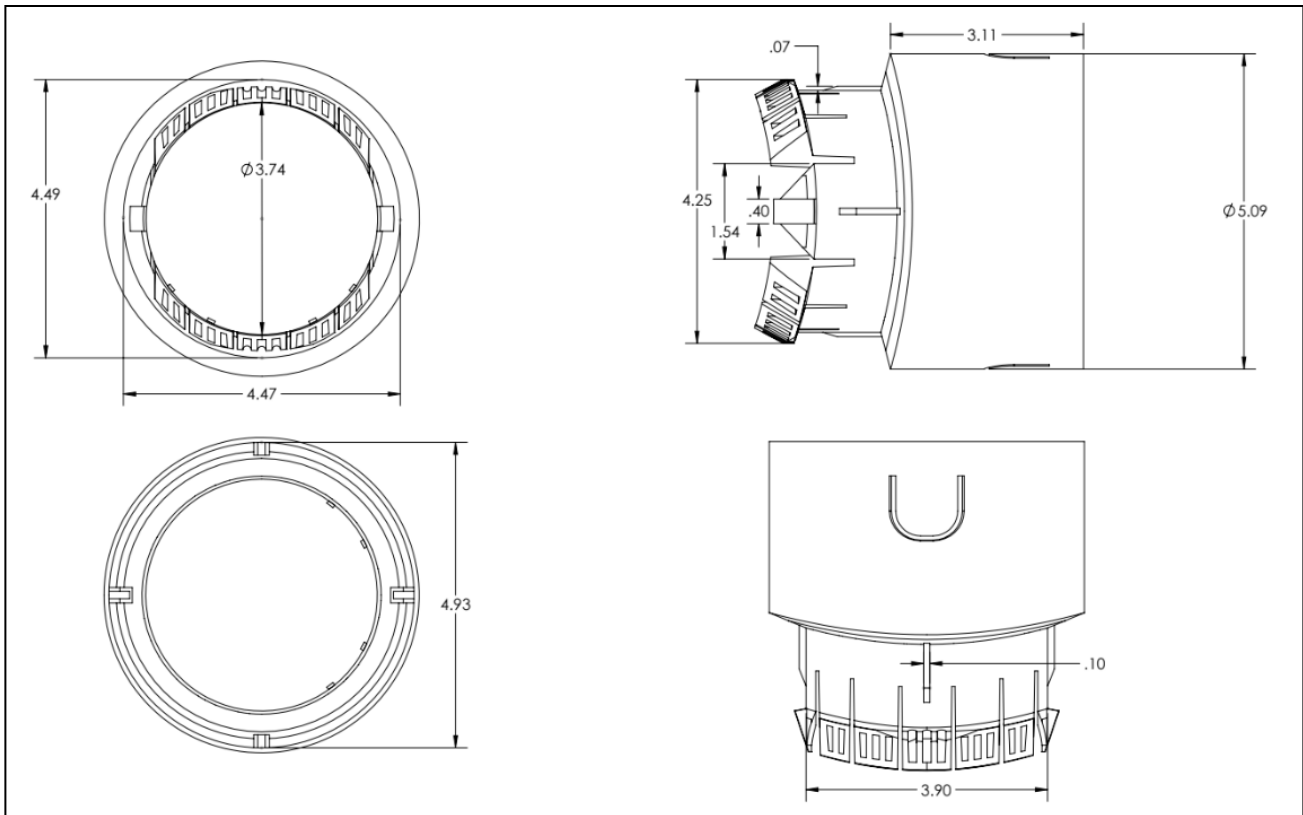
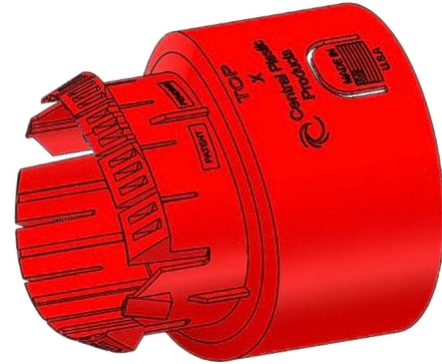


FITTING NUMBER	
42042700	
FITTING	SIZE
FLEX TAP TEE (10/12/15)	4"



PART WEIGHT	PART WALL DISTRIBUTION
112 GRAMS	.08"

THESE SPECIFICATIONS ARE HELD IN STANDARD ACCORDING TO ASTM F667.