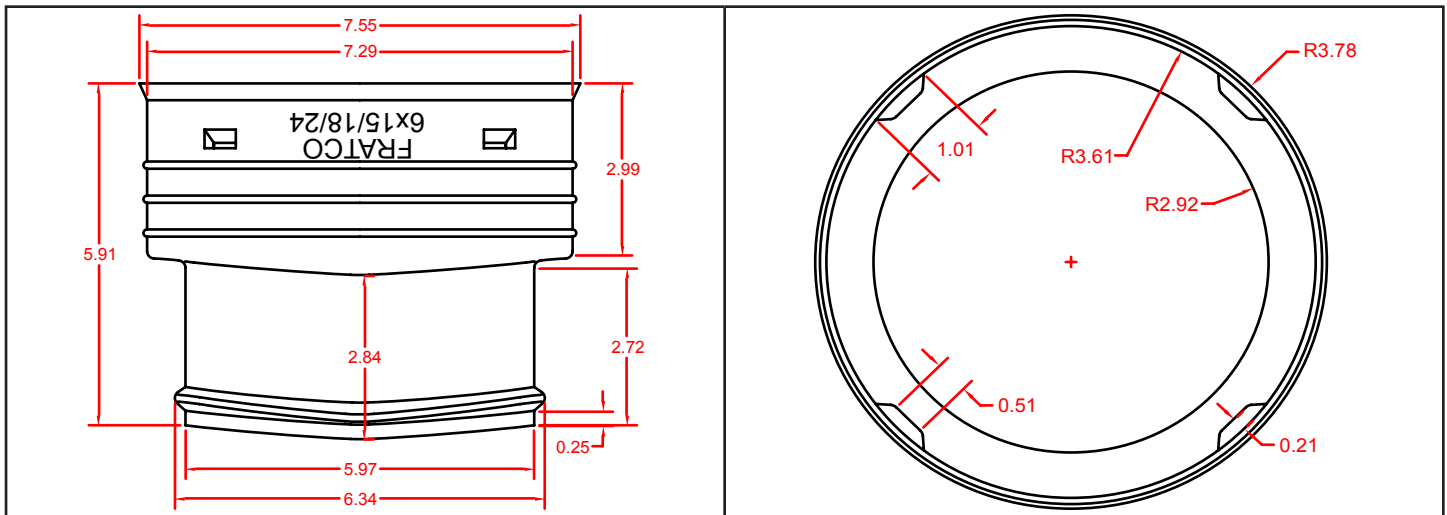


FITTING NUMBER	
<b>40062500</b>	
FITTING <b>TAP TEE SMALL</b> <b>(15/18/24)</b>	SIZE <b>6"</b>



### MEASUREMENTS



### PART WEIGHT

**300 grams** (+/- 20 grams)

### PART WALL DISTRIBUTION

**.07"**

These specifications are held in standard according to ASTM F667 - Standard Specification for Polyethylene Plastics Pipe and Fittings material.