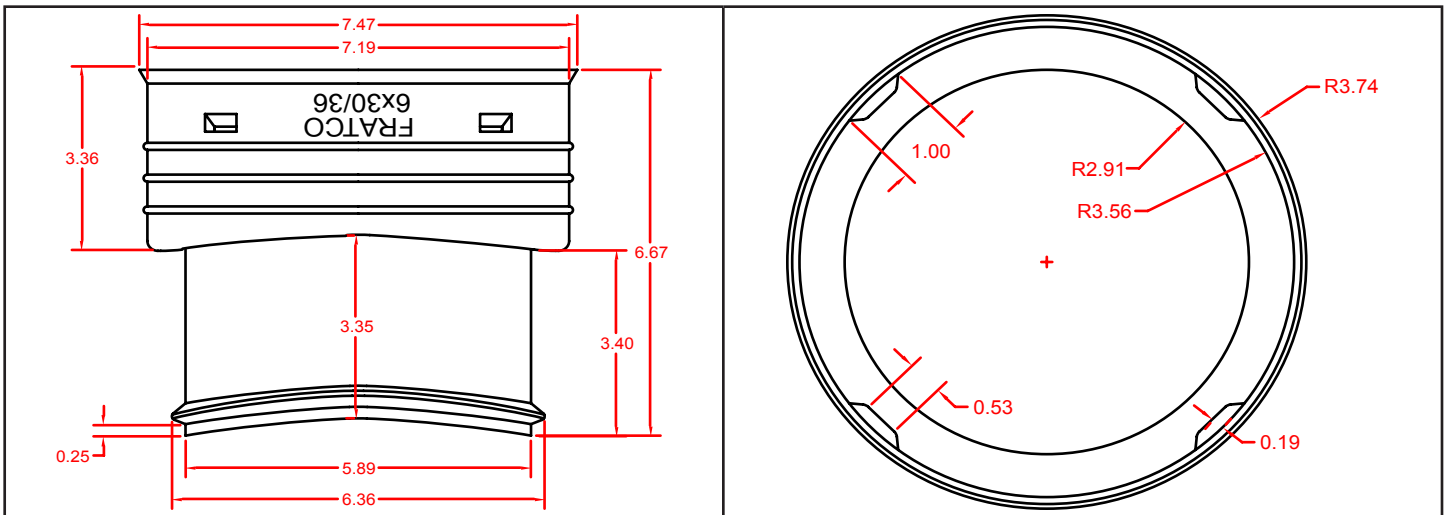




FITTING NUMBER	
<b>40062600</b>	
FITTING	SIZE
<b>TAP TEE LARGE (30/36)</b>	<b>6"</b>

**MEASUREMENTS**



<b>PART WEIGHT</b>
<b>300 grams</b> (+/- 20 grams)

<b>PART WALL DISTRIBUTION</b>
<b>.07"</b>

These specifications are held in standard according to ASTM F667 - Standard Specification for Polyethylene Plastics Pipe and Fittings material.