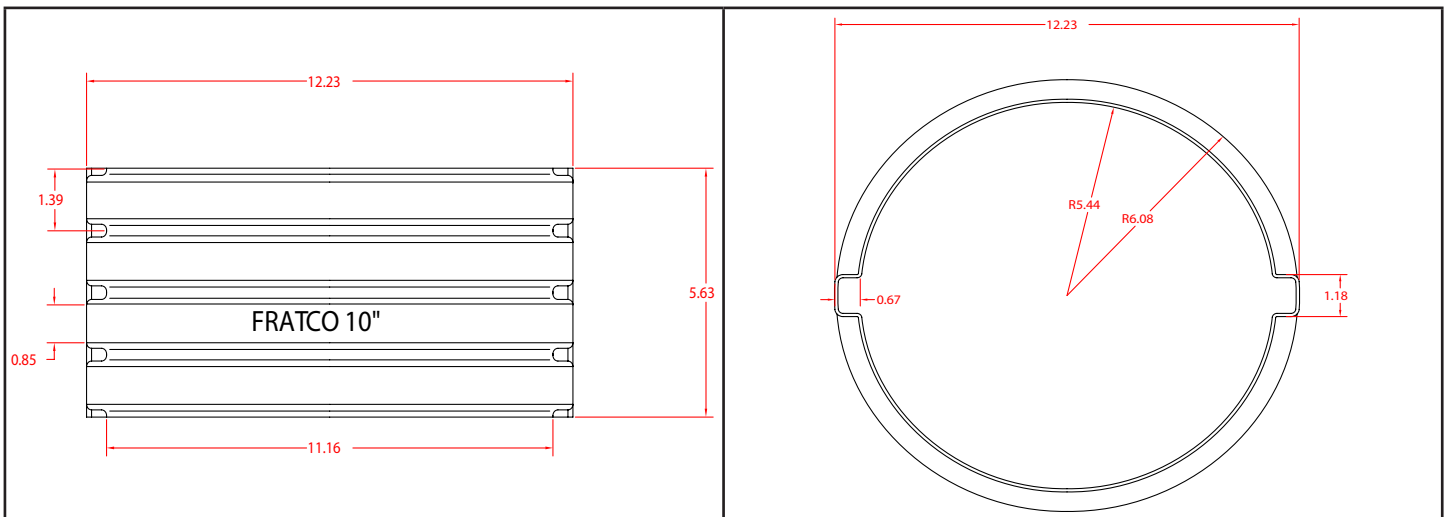




FITTING NUMBER	
<b>40101100</b>	
FITTING	SIZE
<b>SPLIT COUPLER</b>	<b>10"</b>

**MEASUREMENTS**



PART WEIGHT
<b>280 grams</b> (+/- 15 grams)

PART WALL DISTRIBUTION
<b>.09"</b>

These specifications are held in standard according to ASTM F667 - Standard Specification for Polyethylene Plastics Pipe and Fittings material.