

FITTING NUMBER

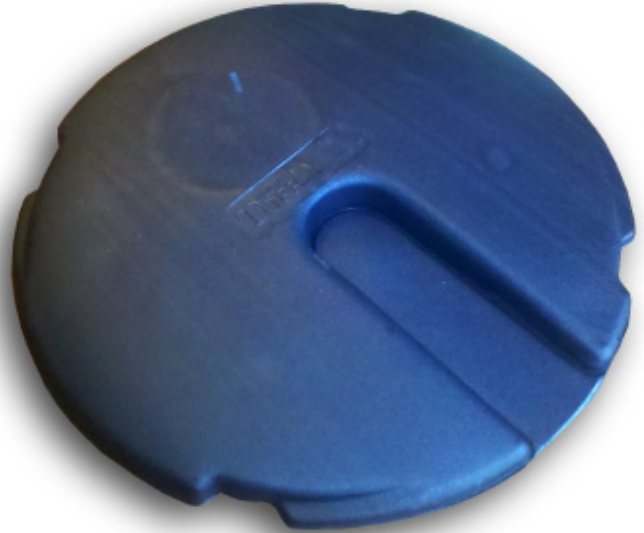
40181801

FITTING

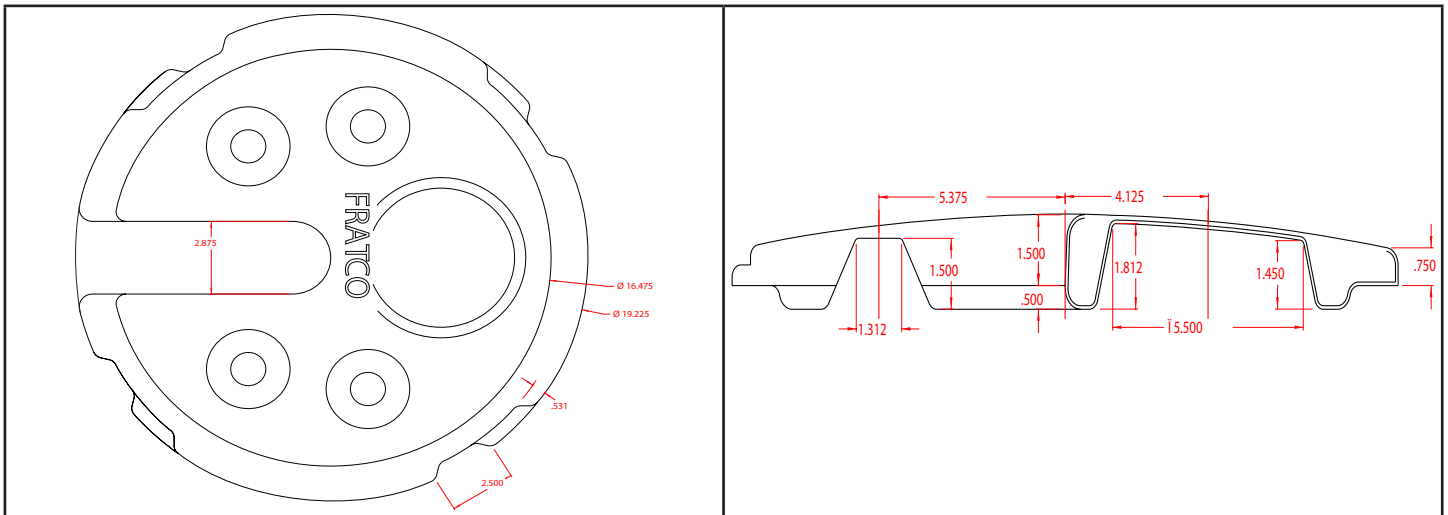
SOLID SUMP LID

SIZE

18"



MEASUREMENTS



PART WEIGHT

950 grams (+/- 35 grams)

PART WALL DISTRIBUTION

.09"

These specifications are held in standard according to ASTM F667 - Standard Specification for Polyethylene Plastics Pipe and Fittings material.