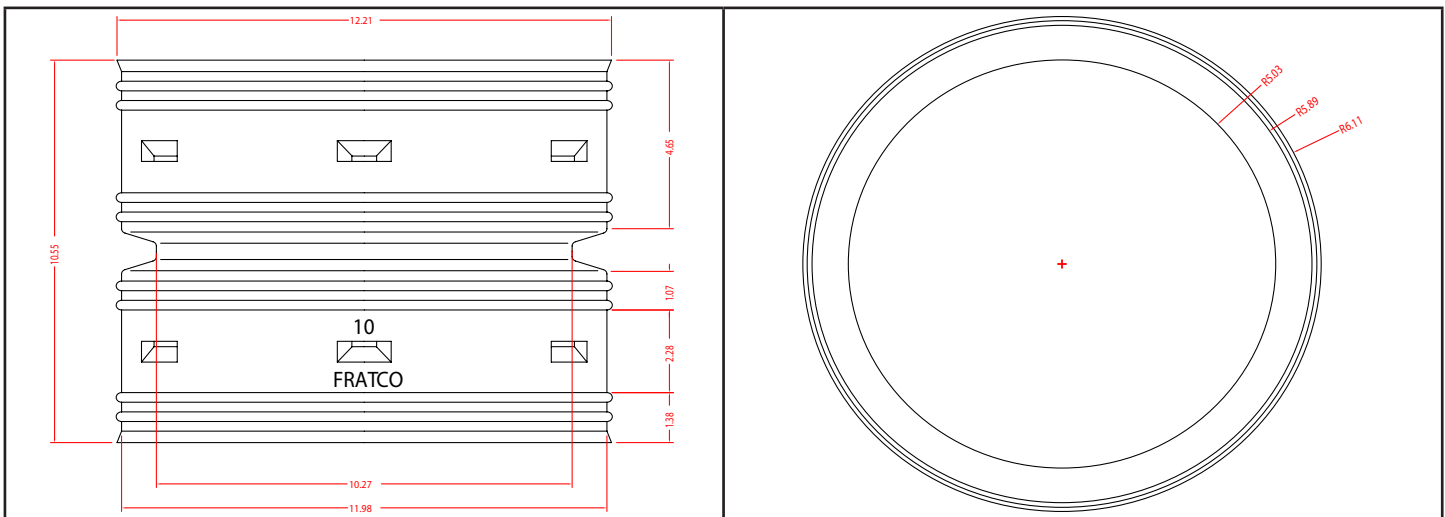




FITTING NUMBER	
<b>40101200</b>	
FITTING	SIZE
<b>SNAP COUPLER</b>	<b>10"</b>

**MEASUREMENTS**



**PART WEIGHT**

**600 grams** (+/- 15 grams)

**PART WALL DISTRIBUTION**

**.102"**

These specifications are held in standard according to ASTM F667 - Standard Specification for Polyethylene Plastics Pipe and Fittings material.