

FITTING NUMBER

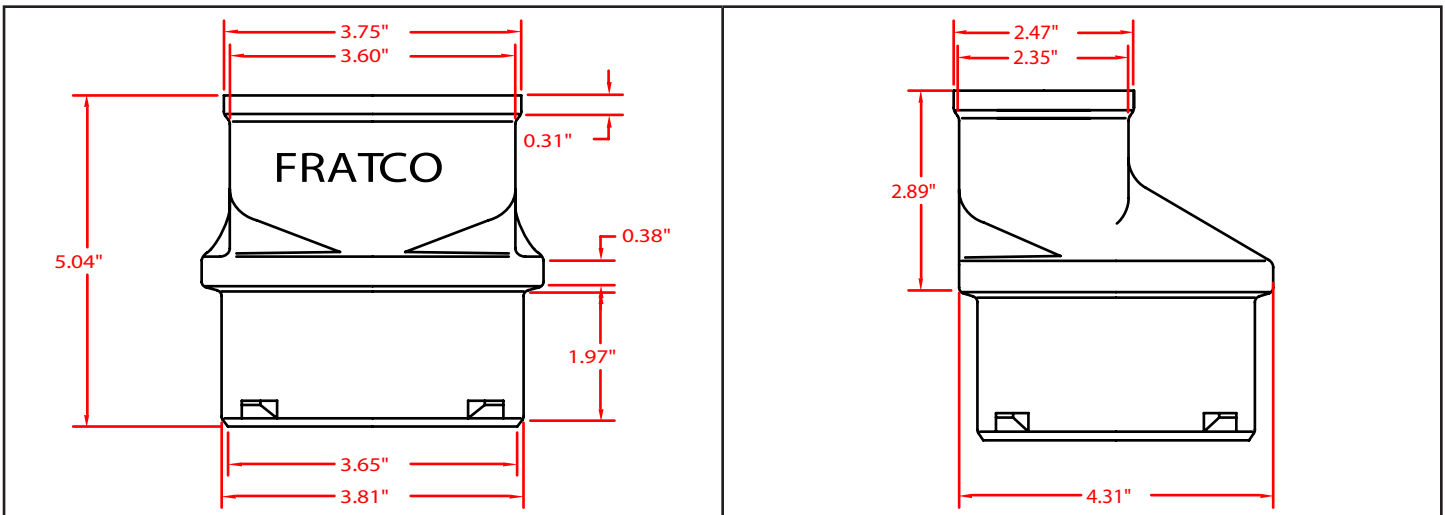
40046000

FITTING
**SMALL DOWNSPOUT
 ADAPTER (2" X 3")**

SIZE
4"



MEASUREMENTS



PART WEIGHT

75 grams (+/- 7 grams)

PART WALL DISTRIBUTION

.07"

These specifications are held in standard according to ASTM F667 - Standard Specification for Polyethylene Plastics Pipe and Fittings material.