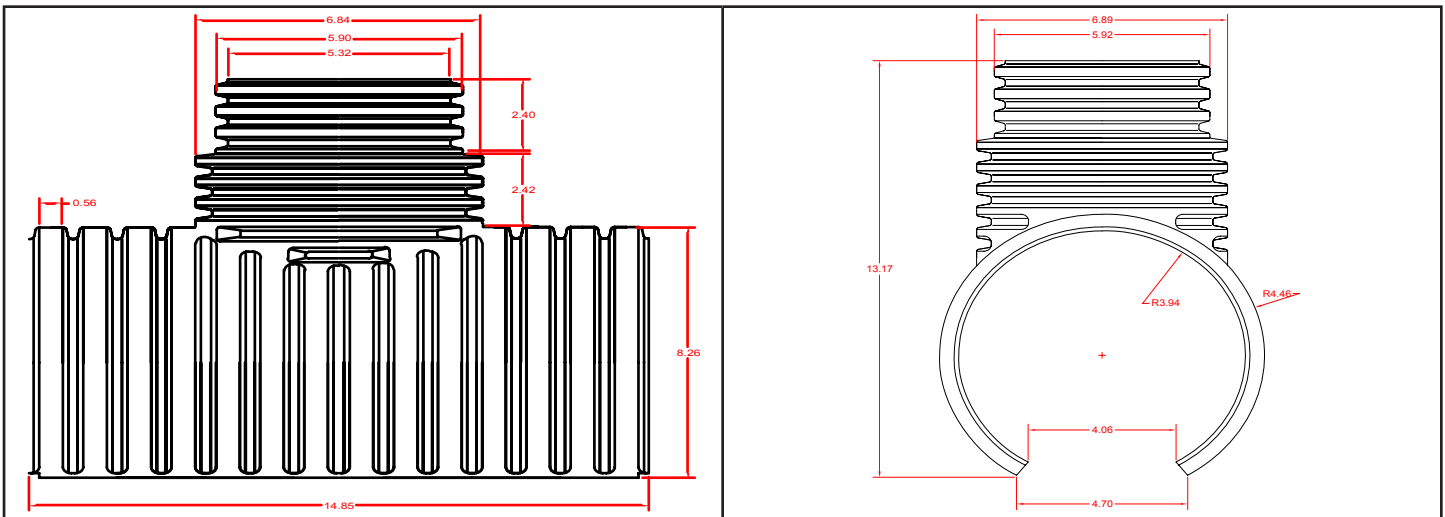




FITTING NUMBER	
40082400	
FITTING	SIZE
SADDLE TEE	8"

MEASUREMENTS



PART WEIGHT
500 grams (+/- 15 grams)

PART WALL DISTRIBUTION
.08"

These specifications are held in standard according to ASTM F667 - Standard Specification for Polyethylene Plastics Pipe and Fittings material.