

FITTING NUMBER

# 40082200

FITTING

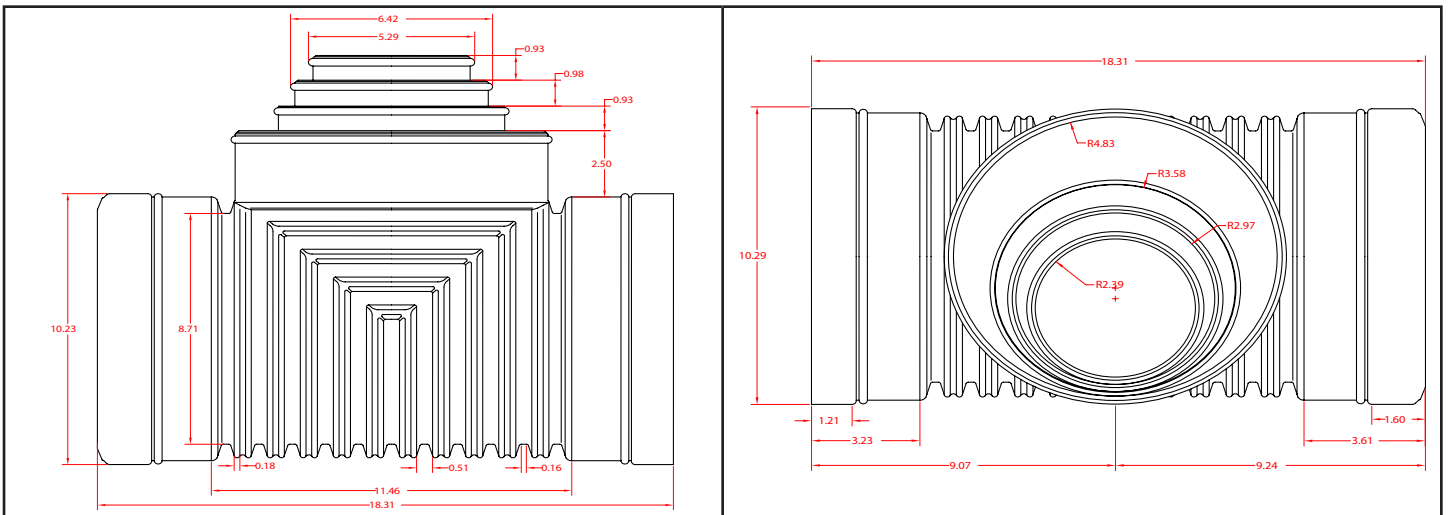
## BLIND TEE

SIZE

## 8"



### MEASUREMENTS



PART WEIGHT

## 1200 grams (+/- 30 grams)

PART WALL DISTRIBUTION

## .082"

These specifications are held in standard according to ASTM F667 - Standard Specification for Polyethylene Plastics Pipe and Fittings material.