

FITTING NUMBER

# 40103502

FITTING

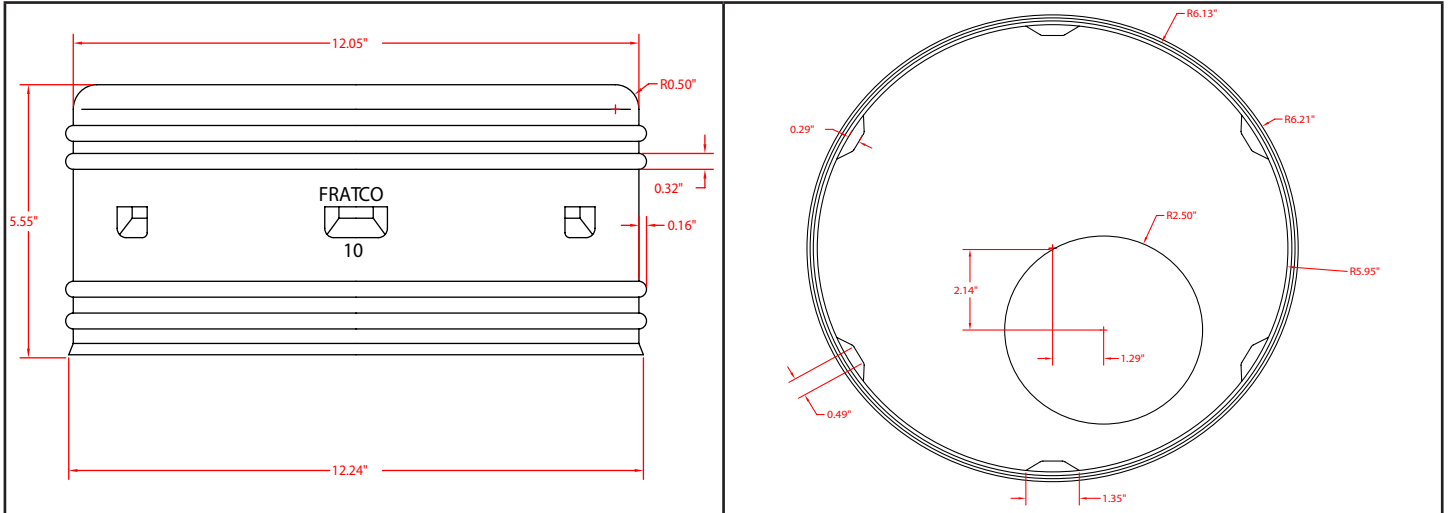
## SEPTIC CAP

SIZE

## 10"



### MEASUREMENTS



PART WEIGHT

## 425 grams (+/- 20 grams)

PART WALL DISTRIBUTION

## .07"

These specifications are held in standard according to ASTM F667-Standard Specification for Polyethylene Plastics Pipe and Fittings material.