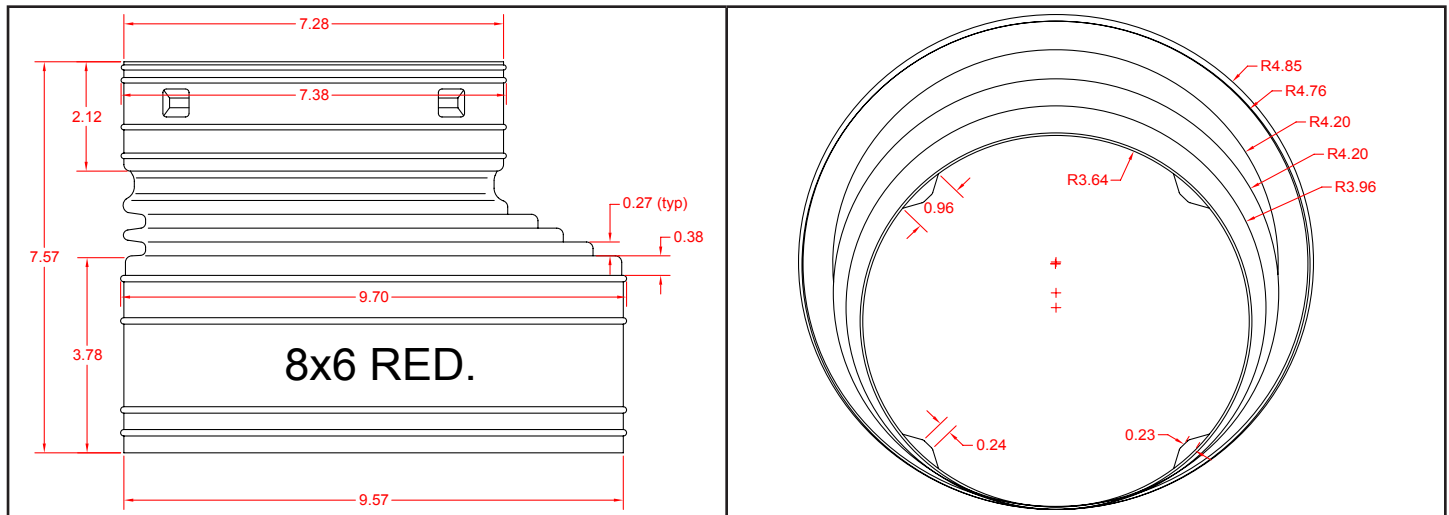


FITTING NUMBER	
<b>40088600</b>	
FITTING	SIZE
<b>REDUCER</b>	<b>8"x6"</b>



**MEASUREMENTS**



<b>PART WEIGHT</b>
<b>230 grams</b> (+/- 15 grams)

<b>PART WALL DISTRIBUTION</b>
<b>.07"</b>

These specifications are held in standard according to ASTM F667 - Standard Specification for Polyethylene Plastics Pipe and Fittings material.