

FITTING NUMBER

40049000

FITTING

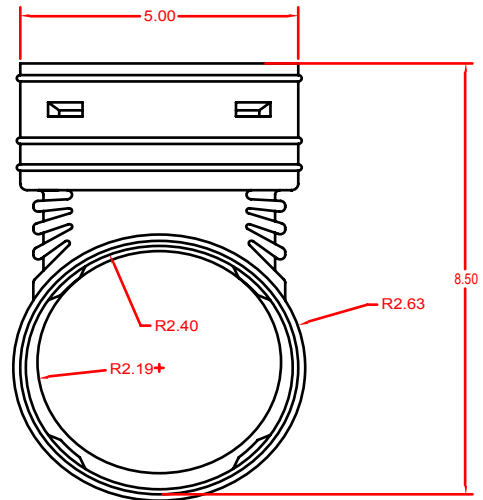
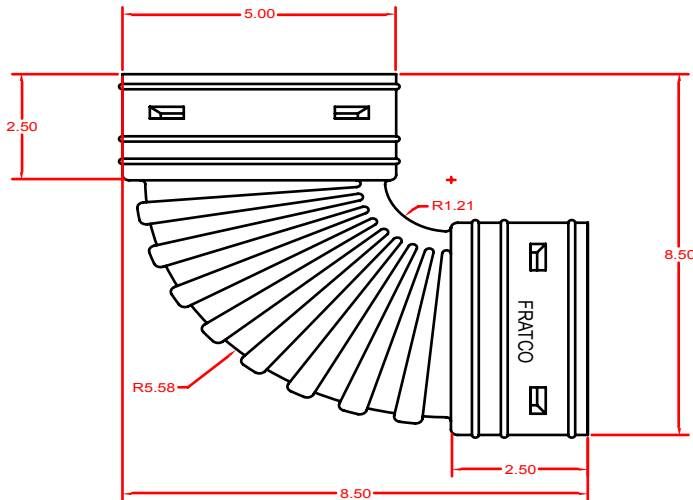
ELBOW 90 DEGREE

SIZE

4"



MEASUREMENTS



PART WEIGHT

180 grams (+/- 15 grams)

PART WALL DISTRIBUTION

.10"

These specifications are held in standard according to ASTM F667 - Standard Specification for Polyethylene Plastics Pipe and Fittings material.